

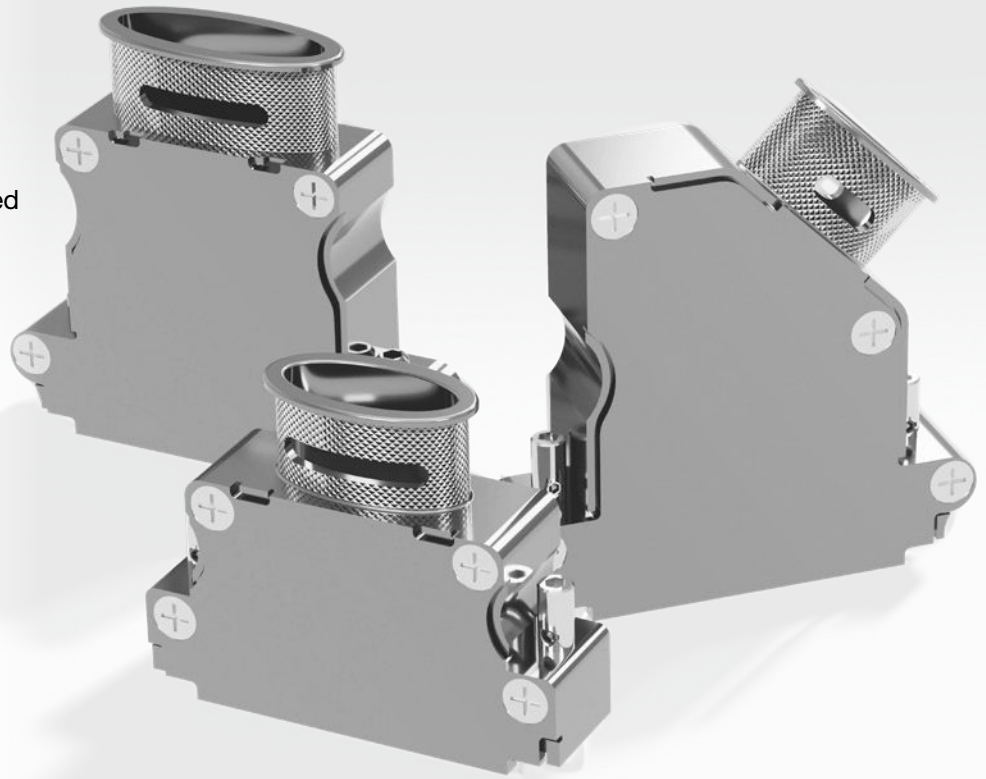
PRECISION MACHINED BANDED BACKSHELLS

LIGHTWEIGHT ALUMINUM

AP / AK / AW SERIES, FOR USE WITH D-SUB CONNECTORS

FEATURES

- Available in shell sizes 1 through 6
- Banded elliptical entry, slotted, knurled
- Top and side entry
- Standard and low profile
- Jackscrews or quick disconnect locking system
- Spacious interior
- Re-openable, two-piece construction
- Metal backshell offers EMI protection
- Suitable for robust use
- Machined lightweight aluminum
- Customizable



TECH SPECS

Performance Level Mil/Aero / Spaceflight / Industrial

RoHS Compliance Compliant

MATERIAL AND FINISHES

Backshell and Cover Aluminum; aluminum with electroless nickel plate; aluminum with yellow anodize; aluminum with chemical conversion coating. Zinc content is 1% maximum.

Jackscrews & Screws Steel with nickel plate; brass with zinc plate and chromate seal; brass, with 1.27µm min Au over Cu. Stainless steel options available, contact Technical Sales.

Actuation Lock System Steel with nickel plate

MECHANICAL

Cable Entry Top and side entry

Locking System Jackscrews or quick disconnect locking device.

ENVIRONMENTAL

Operating Temperature -55 to 125°C



Positronic[®]
an Amphenol company

THE SCIENCE OF CERTAINTY[®]

M037 24/03

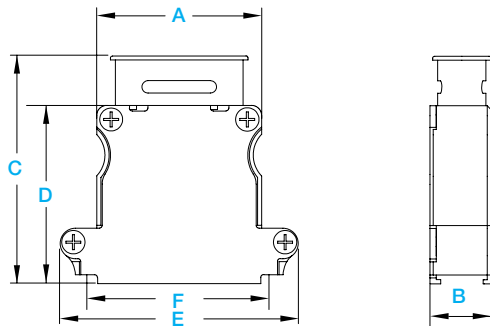
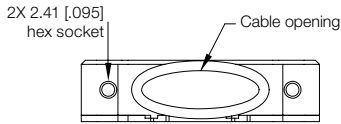
LIGHTWEIGHT ALUMINUM BACKSHELLS

For the sake of brevity, only basic dimensions are shown here. Full dimensional detail is available in the respective product drawings.

For use with code E, E6 or E7

AP

Backshell, banded, aluminum, standard profile, top entry¹



AP backshell shown with E option



AP backshell shown with E6 option



AP backshell shown with E7 option

Dimensions are in millimeters [inches]

PART NUMBER	Connector / Contact Arrangement Compatibility		Shell Size	A	B	C	D	E	F	Cable Entry ³	Total Mass ⁴
D9000APN ^{*1} E0 ^{*2} D9000APN ^{*1} E60 ^{*2} D9000APN ^{*1} E70 ^{*2}	Std-D: 9 High-D: 15	Combo-D: 5W1, 2WK2 Combo-D High-D: 8W2	1	23.06 [.908]	15.65 [.616]	58.12 [2.288]	45.47 [1.790]	38.71 [1.524]	24.99 [.984]	9.73 x 11.28 [.383 x .444]	25.50 grams
D15000APN ^{*1} E0 ^{*2} D15000APN ^{*1} E60 ^{*2} D15000APN ^{*1} E70 ^{*2}	Std-D: 15 High-D: 26	Combo-D: 3W3, 3WK3, 7W2, 11W1 Combo-D High-D: 19W1	2	31.39 [1.236]	15.65 [.616]	58.12 [2.288]	45.47 [1.790]	47.04 [1.852]	33.32 [1.312]	9.73 x 19.61 [.383 x .772]	30.19 grams
D25000APN ^{*1} E0 ^{*2} D25000APN ^{*1} E60 ^{*2} D25000APN ^{*1} E70 ^{*2}	Std-D: 25 High-D: 44	Combo-D: 5W5, 9W4, 13W3, 17W2, 21W1 Combo-D High-D: 15W4	3	42.06 [1.656]	15.65 [.616]	58.12 [2.288]	45.47 [1.790]	60.76 [2.392]	47.04 [1.852]	9.73 x 30.00 [.383 x 1.181]	35.95 grams
D37000APN ^{*1} E0 ^{*2} D37000APN ^{*1} E60 ^{*2} D37000APN ^{*1} E70 ^{*2}	Std-D: 37 High-D: 62	Combo-D: 8W8, 13W6, 17W5, 21WA4, 25W3, 27W2 Combo-D High-D: 45W2	4	58.52 [2.304]	15.65 [.616]	64.47 [2.538]	51.82 [2.040]	77.22 [3.040]	63.50 [2.500]	9.73 x 44.00 [.383 x 1.732]	49.26 grams
D50000APN ^{*1} E0 ^{*2} D50000APN ^{*1} E60 ^{*2} D50000APN ^{*1} E70 ^{*2}	Std-D: 50 High-D: 78	Combo-D: 24W7, 36W4, 43W2, 47W1 Combo-D High-D: n/a	5	56.13 [2.210]	18.47 [.727]	64.47 [2.538]	51.82 [2.040]	74.83 [2.946]	61.11 [2.406]	11.00 x 42.00 [.433 x 1.654]	51.71 grams
D104000APN ^{*1} E0 ^{*2} D104000APN ^{*1} E60 ^{*2} D104000APN ^{*1} E70 ^{*2}	Std-D: n/a High-D: 104	Combo-D: 46W4 Combo-D High-D: n/a	6	58.52 [2.304]	20.07 [.790]	64.47 [2.538]	51.82 [2.040]	77.22 [3.040]	63.50 [2.500]	14.00 x 44.00 [.551 x 1.732]	54.74 grams

^{*1} For additional 'Material & Finish Options', replace 'N' with desired 'Code' from Create A Part on page 8

^{*2} For 1.27µm min Au over Cu, replace the last '0' with 'G' in part number and ^{*1} note must remain as 'N' (e.g. D9000APNE6G)

^{*3} Custom cable entry is available. Contact Technical Sales for more information.

^{*4} Weight for 'E' configuration. Contact Technical Sales for 'E6' and 'E7'.

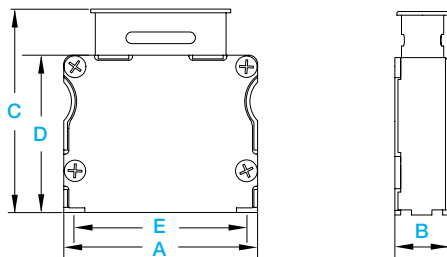
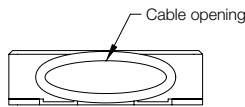
LIGHTWEIGHT ALUMINUM BACKSHELLS

For the sake of brevity, only basic dimensions are shown here. Full dimensional detail is available in the respective product drawings.

For use with code T2, VL or V3

AP

Backshell, banded, aluminum, standard profile, top entry^{*1}



AP backshell shown with T2 option



AP backshell shown with V3 option



AP backshell shown with VL option

Dimensions are in millimeters [inches]

PART NUMBER	Connector / Contact Arrangement Compatibility		Shell Size	A	B	C	D	E	Cable Entry ^{*3}	Total Mass
D9000APN ^{*1} T20 ^{*2} D9000APN ^{*1} V30 ^{*2} D9000APN ^{*1} VLO ^{*2}	Std-D: 9 High-D: 15	Combo-D: 5W1, 2WK2 Combo-D High-D: 8W2	1	30.96 [1.219]	14.88 [.586]	55.83 [2.198]	43.18 [1.700]	24.99 [.984]	9.00 x 11.28 [.354 x .444]	30.88 grams ^{*4}
D15000APN ^{*1} T20 ^{*2} D15000APN ^{*1} V30 ^{*2} D15000APN ^{*1} VLO ^{*2}	Std-D: 15 High-D: 26	Combo-D: 3W3, 3WK3, 7W2, 11W1 Combo-D High-D: 19W1	2	39.29 [1.547]	14.88 [.586]	55.83 [2.198]	43.18 [1.700]	33.32 [1.312]	9.00 x 19.61 [.354 x .772]	35.72 grams ^{*4}
D25000APN ^{*1} T20 ^{*2} D25000APN ^{*1} V30 ^{*2} D25000APN ^{*1} VLO ^{*2}	Std-D: 25 High-D: 44	Combo-D: 5W5, 9W4, 13W3, 17W2, 21W1 Combo-D High-D: 15W4	3	53.19 [2.094]	14.88 [.586]	55.83 [2.198]	43.18 [1.700]	47.04 [1.852]	9.00 x 33.32 [.354 x 1.312]	44.30 grams ^{*4}
D37000APN ^{*1} T20 ^{*2} D37000APN ^{*1} V30 ^{*2} D37000APN ^{*1} VLO ^{*2}	Std-D: 37 High-D: 62	Combo-D: 8W8, 13W6, 17W5, 21WA4, 25W3, 27W2 Combo-D High-D: 45W2	4	69.49 [2.736]	14.88 [.586]	62.18 [2.448]	49.53 [1.950]	63.50 [2.500]	9.00 x 49.78 [.354 x 1.960]	58.61 grams ^{*4}
D50000APN ^{*1} T20 ^{*2} D50000APN ^{*1} V30 ^{*2} D50000APN ^{*1} VLO ^{*2}	Std-D: 50 High-D: 78	Combo-D: 24W7, 36W4, 43W2, 47W1 Combo-D High-D: n/a	5	67.11 [2.642]	17.70 [.697]	62.18 [2.448]	49.53 [1.950]	61.11 [2.406]	11.00 x 47.40 [.433 x 1.866]	61.74 grams ^{*4}
D104000APN ^{*1} T20 ^{*2}	Std-D: n/a High-D: 104	Combo-D: 46W4 Combo-D High-D: n/a	6	69.49 [2.736]	19.30 [.760]	62.18 [2.448]	49.53 [1.950]	63.50 [2.500]	13.00 x 49.00 [.512 x 1.929]	57.71 grams

^{*1} For additional 'Material & Finish Options', replace 'N' with desired 'Code' from Create A Part on page 8

^{*2} For 1.27µm min Au over Cu, replace the last '0' with 'G' in part number and *1 note must remain as 'N' (e.g. D9000APNT2G)

^{*3} Custom cable entry is available. Contact Technical Sales for more information.

^{*4} Weight for 'VL' configuration. Contact Technical Sales for 'T2' and 'V3'.

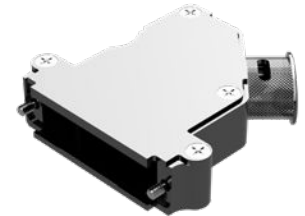
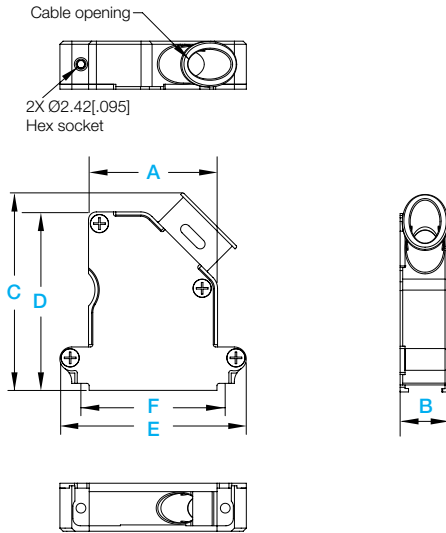
LIGHTWEIGHT ALUMINUM BACKSHELLS

For the sake of brevity, only basic dimensions are shown here. Full dimensional detail is available in the respective product drawings.

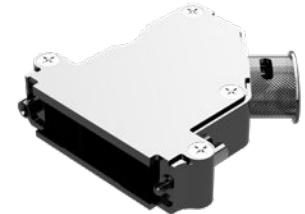
For use with code E, E6 or E7

AK

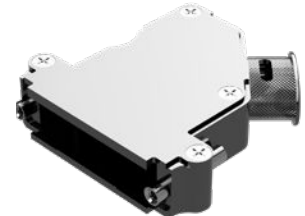
Backshell, banded, aluminum, standard profile, side entry^{*1}



AK backshell shown with E option



AK backshell shown with E6 option



AK backshell shown with E7 option

Dimensions are in millimeters [inches]

PART NUMBER	Connector / Contact Arrangement Compatibility		Shell Size	A	B	C	D	E	F	Cable Entry ^{*3}	Total Mass ^{*4}
D9000AKN ^{*1} E0 ^{*2} D9000AKN ^{*1} E60 ^{*2} D9000AKN ^{*1} E70 ^{*2}	Std-D: 9 High-D: 15	Combo-D: 5W1, 2WK2 Combo-D High-D: 8W2	1	20.01 [.788]	15.65 [.616]	54.62 [2.150]	50.30 [1.980]	38.72 [1.524]	24.99 [.984]	9.73 x 10.27 [.383 x .404]	23.48 grams
D15000AKN ^{*1} E0 ^{*2} D15000AKN ^{*1} E60 ^{*2} D15000AKN ^{*1} E70 ^{*2}	Std-D: 15 High-D: 26	Combo-D: 3W3, 3WK3, 7W2, 11W1 Combo-D High-D: 19W1	2	28.24 [1.112]	15.65 [.616]	61.46 [2.419]	56.90 [2.240]	47.07 [1.852]	33.32 [1.312]	9.73 x 16.00 [.383 x .630]	30.27 grams
D25000AKN ^{*1} E0 ^{*2} D25000AKN ^{*1} E60 ^{*2} D25000AKN ^{*1} E70 ^{*2}	Std-D: 25 High-D: 44	Combo-D: 5W5, 9W4, 13W3, 17W2, 21W1 Combo-D High-D: 15W4	3	42.06 [1.656]	15.65 [.616]	64.38 [2.535]	58.17 [2.290]	60.76 [2.392]	47.04 [1.852]	9.73 x 20.00 [.383 x .787]	41.29 grams
D37000AKN ^{*1} E0 ^{*2} D37000AKN ^{*1} E60 ^{*2} D37000AKN ^{*1} E70 ^{*2}	Std-D: 37 High-D: 62	Combo-D: 8W8, 13W6, 17W5, 21WA4, 25W3, 27W2 Combo-D High-D: 45W2	4	58.52 [2.304]	15.65 [.616]	76.37 [3.007]	68.08 [2.680]	77.22 [3.040]	63.50 [2.500]	9.73 x 30.00 [.383 x 1.181]	58.80 grams
D50000AKN ^{*1} E0 ^{*2} D50000AKN ^{*1} E60 ^{*2} D50000AKN ^{*1} E70 ^{*2}	Std-D: 50 High-D: 78	Combo-D: 24W7, 36W4, 43W2, 47W1 Combo-D High-D: n/a	5	56.13 [2.210]	18.47 [.727]	75.52 [2.973]	68.08 [2.680]	74.83 [2.946]	61.11 [2.406]	11.00 x 30.00 [.433 x 1.181]	61.12 grams
D104000AKN ^{*1} E0 ^{*2} D104000AKN ^{*1} E60 ^{*2} D104000AKN ^{*1} E70 ^{*2}	Std-D: n/a High-D: 104	Combo-D: 46W4 Combo-D High-D: n/a	6	58.52 [2.304]	20.07 [.790]	76.65 [3.018]	68.08 [2.680]	77.22 [3.040]	63.50 [2.500]	14.00 x 30.00 [.551 x 1.181]	65.53 grams

^{*1} For additional 'Material & Finish Options', replace 'N' with desired 'Code' from Create A Part on page 8

^{*2} For 1.27µm min Au over Cu, replace the last '0' with 'G' in part number and *1 note must remain as 'N' (e.g. D9000AKNE6G)

^{*3} Custom cable entry is available. Contact Technical Sales for more information.

^{*4} Weight for 'E' configuration. Contact Technical Sales for 'E6' and 'E7'.

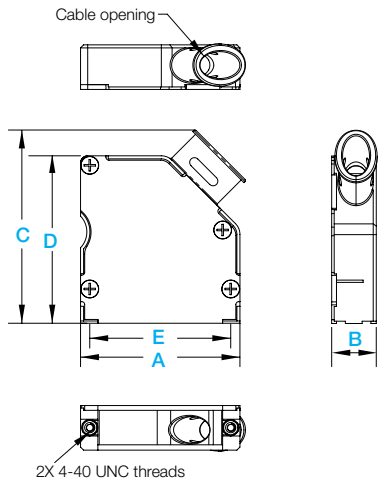
LIGHTWEIGHT ALUMINUM BACKSHELLS

For the sake of brevity, only basic dimensions are shown here. Full dimensional detail is available in the respective product drawings.

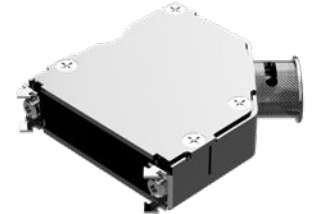
For use with code T2, VL or V3

AK

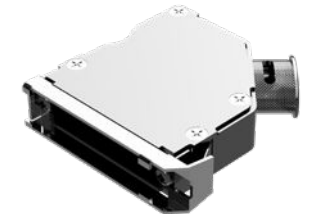
Backshell, banded, aluminum, standard profile, side entry^{*1}



AK backshell shown with T2 option



AK backshell shown with V3 option



AK backshell shown with VL option

Dimensions are in millimeters [inches]

PART NUMBER	Connector / Contact Arrangement Compatibility		Shell Size	A	B	C	D	E	Cable Entry ^{*2}	Total Mass
D9000AKN ^{*1} T20 ^{*2} D9000AKN ^{*1} V30 ^{*2} D9000AKN ^{*1} VLO ^{*2}	Std-D: 9 High-D: 15	Combo-D: 5W1, 2WK2 Combo-D High-D: 8W2	1	30.96 [1.219]	14.88 [.586]	54.65 [2.152]	48.26 [1.900]	24.99 [.984]	9.00 x 18.00 [.354 x .709]	31.39 grams ^{*4}
D15000AKN ^{*1} T20 ^{*2} D15000AKN ^{*1} V30 ^{*2} D15000AKN ^{*1} VLO ^{*2}	Std-D: 15 High-D: 26	Combo-D: 3W3, 3WK3, 7W2, 11W1 Combo-D High-D: 19W1	2	39.29 [1.547]	14.88 [.586]	63.59 [2.503]	55.88 [2.200]	33.32 [1.312]	9.00 x 22.00 [.354 x .866]	39.77 grams ^{*4}
D25000AKN ^{*1} T20 ^{*2} D25000AKN ^{*1} V30 ^{*2} D25000AKN ^{*1} VLO ^{*2}	Std-D: 25 High-D: 44	Combo-D: 5W5, 9W4, 13W3, 17W2, 21W1 Combo-D High-D: 15W4	3	53.19 [2.094]	14.88 [.586]	64.49 [2.539]	55.88 [2.200]	47.04 [1.852]	9.00 x 19.00 [.354 x .748]	50.89 grams ^{*4}
D37000AKN ^{*1} T20 ^{*2} D37000AKN ^{*1} V30 ^{*2} D37000AKN ^{*1} VLO ^{*2}	Std-D: 37 High-D: 62	Combo-D: 8W8, 13W6, 17W5, 21WA4, 25W3, 27W2 Combo-D High-D: 45W2	4	69.49 [2.736]	14.88 [.586]	76.16 [2.998]	69.85 [2.750]	63.50 [2.500]	9.00 x 29.00 [.354 x 1.142]	71.67 grams ^{*4}
D50000AKN ^{*1} T20 ^{*2} D50000AKN ^{*1} V30 ^{*2} D50000AKN ^{*1} VLO ^{*2}	Std-D: 50 High-D: 78	Combo-D: 24W7, 36W4, 43W2, 47W1 Combo-D High-D: n/a	5	67.11 [2.642]	17.70 [.697]	76.44 [3.009]	69.85 [2.750]	61.11 [2.406]	11.00 x 30.00 [.433 x 1.181]	73.62 grams ^{*4}
D104000AKN ^{*1} T20 ^{*2}	Std-D: n/a High-D: 104	Combo-D: 46W4 Combo-D High-D: n/a	6	69.49 [2.736]	19.30 [.760]	77.49 [3.051]	69.85 [2.750]	63.50 [2.500]	13.00 x 32.00 [.512 x 1.260]	69.76 grams

^{*1} For additional 'Material & Finish Options', replace 'N' with desired 'Code' from Create A Part on page 8

^{*2} For 1.27µm min Au over Cu, replace the last '0' with 'G' in part number and *1 note must remain as 'N' (e.g. D9000AKNT2G)

^{*3} Custom cable entry is available. Contact Technical Sales for more information.

^{*4} Weight for 'VL' configuration. Contact Technical Sales for 'T2' and 'V3'.

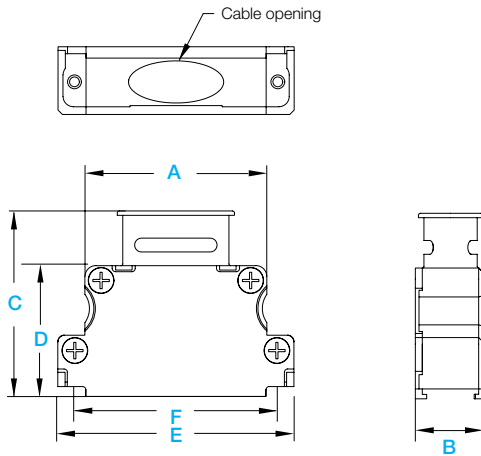
LIGHTWEIGHT ALUMINUM BACKSHELLS

For the sake of brevity, only basic dimensions are shown here. Full dimensional detail is available in the respective product drawings.

For use with code E, E6 or E7

AW

Backshell, banded, aluminum, low profile, top entry^{*1}



AW backshell shown with E option



AW backshell shown with E6 option



AW backshell shown with E7 option

Dimensions are in millimeters [inches]

PART NUMBER	Connector / Contact Arrangement Compatibility		Shell Size	A	B	C	D	E	F	Cable Entry ^{*3}	Total Mass ^{*4}
D9000AWN ^{*1} E0 ^{*2} D9000AWN ^{*1} E60 ^{*2} D9000AWN ^{*1} E70 ^{*2}	Std-D: 9 High-D: 15	Combo-D: 5W1, 2WK2 Combo-D High-D: 8W2	1	20.32 [.800]	15.65 [.616]	40.34 [1.588]	27.69 [1.090]	32.33 [1.273]	24.99 [.984]	9.73 X 10.00 [.383 x .394]	17.54 grams
D15000AWN ^{*1} E0 ^{*2} D15000AWN ^{*1} E60 ^{*2} D15000AWN ^{*1} E70 ^{*2}	Std-D: 15 High-D: 26	Combo-D: 3W3, 3WK3, 7W2, 11W1 Combo-D High-D: 19W1	2	28.45 [1.120]	15.65 [.616]	42.88 [1.688]	30.23 [1.190]	40.64 [1.600]	33.32 [1.312]	9.73 x 17.00 [.383 x .669]	22.42 grams
D25000AWN ^{*1} E0 ^{*2} D25000AWN ^{*1} E60 ^{*2} D25000AWN ^{*1} E70 ^{*2}	Std-D: 25 High-D: 44	Combo-D: 5W5, 9W4, 13W3, 17W2, 21W1 Combo-D High-D: 15W4	3	42.06 [1.656]	15.65 [.616]	42.88 [1.688]	30.23 [1.190]	54.61 [2.150]	47.04 [1.852]	9.73 x 22.00 [.383 x .866]	27.86 grams
D37000AWN ^{*1} E0 ^{*2} D37000AWN ^{*1} E60 ^{*2} D37000AWN ^{*1} E70 ^{*1}	Std-D: 37 High-D: 62	Combo-D: 8W8, 13W6, 17W5, 21WA4, 25W3, 27W2 Combo-D High-D: 45W2	4	58.52 [2.304]	15.65 [.616]	42.88 [1.688]	30.23 [1.190]	71.12 [2.800]	63.50 [2.500]	9.73 x 42.00 [.383 x 1.654]	34.92 grams
D50000AWN ^{*1} E0 ^{*2} D50000AWN ^{*1} E60 ^{*2} D50000AWN ^{*1} E70 ^{*2}	Std-D: 50 High-D: 78	Combo-D: 24W7, 36W4, 43W2, 47W1 Combo-D High-D: n/a	5	56.13 [2.210]	18.47 [.727]	42.88 [1.688]	30.23 [1.190]	68.60 [2.701]	61.11 [2.406]	11.00 x 40.00 [.433 x 1.575]	35.92 grams
D104000AWN ^{*1} E0 ^{*2} D104000AWN ^{*1} E60 ^{*2} D104000AWN ^{*1} E70 ^{*2}	Std-D: n/a High-D: 104	Combo-D: 46W4 Combo-D High-D: n/a	6	58.52 [2.304]	20.07 [.790]	42.88 [1.688]	30.23 [1.190]	71.12 [2.800]	63.50 [2.500]	14.00 x 42.00 [.551 x 1.654]	38.95 grams

^{*1} For additional 'Material & Finish Options', replace 'N' with desired 'Code' from Create A Part on page 8

^{*2} For 1.27µm min Au over Cu, replace the last '0' with 'G' in part number and ^{*1} note must remain as 'N' (e.g. D9000AWN6G)

^{*3} Custom cable entry is available. Contact Technical Sales for more information.

^{*4} Weight for 'E' configuration. Contact Technical Sales for 'E6' and 'E7'.

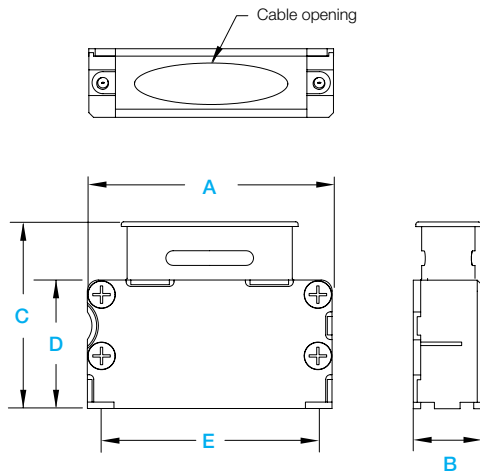
LIGHTWEIGHT ALUMINUM BACKSHELLS

For the sake of brevity, only basic dimensions are shown here. Full dimensional detail is available in the respective product drawings.

For use with code T2, V3 or VL

AW

Backshell, banded, aluminum, low profile, top entry^{*1}



AW backshell shown with T2 option



AW backshell shown with V3 option



AW backshell shown with VL option

Dimensions are in millimeters [inches]

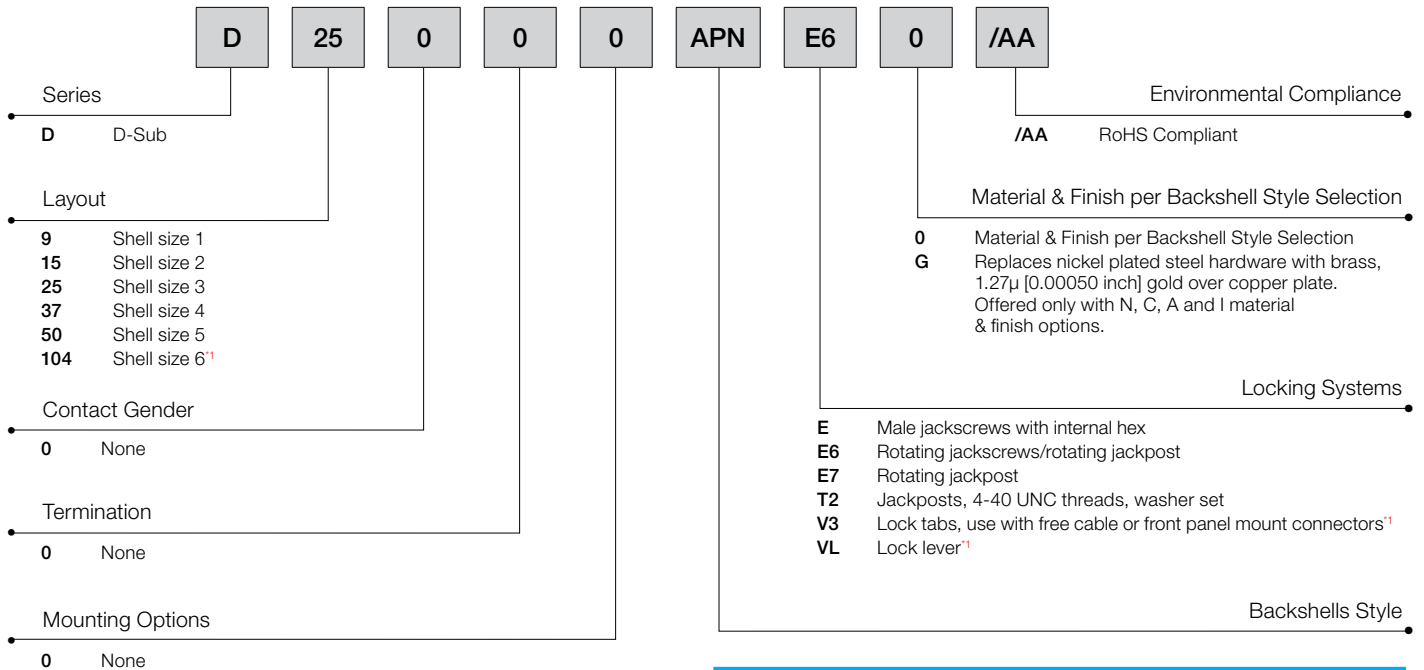
PART NUMBER	Connector / Contact Arrangement Compatibility		Shell Size	A	B	C	D	E	Cable Entry ^{*3}	Total Mass
D9000AWN ^{*1} T2 ^{*2} D9000AWN ^{*1} V30 ^{*2} D9000AWN ^{*1} VL0 ^{*2}	Std-D: 9 High-D: 15	Combo-D: 5W1, 2WK2 Combo-D High-D: 8W2	1	30.96 [1.219]	14.88 [.586]	40.59 [1.598]	27.94 [1.100]	24.99 [.984]	9.00 x 11.28 [.354 x .444]	24.43 grams ^{*4}
D15000AWN ^{*1} T2 ^{*2} D15000AWN ^{*1} V30 ^{*2} D15000AWN ^{*1} VL0 ^{*2}	Std-D: 15 High-D: 26	Combo-D: 3W3, 3WK3, 7W2, 11W1 Combo-D High-D: 19W1	2	39.29 [1.547]	14.88 [.586]	40.59 [1.598]	27.94 [1.100]	33.32 [1.312]	9.00 x 19.61 [.354 x .772]	27.47 grams ^{*4}
D25000AWN ^{*1} T2 ^{*2} D25000AWN ^{*1} V30 ^{*2} D25000AWN ^{*1} VL0 ^{*2}	Std-D: 25 High-D: 44	Combo-D: 5W5, 9W4, 13W3, 17W2, 21W1 Combo-D High-D: 15W4	3	53.19 [2.094]	14.88 [.586]	40.59 [1.598]	27.94 [1.100]	47.04 [1.852]	9.00 x 33.32 [.354 x 1.312]	34.25 grams ^{*4}
D37000AWN ^{*1} T2 ^{*2} D37000AWN ^{*1} V30 ^{*2} D37000AWN ^{*1} VL0 ^{*1}	Std-D: 37 High-D: 62	Combo-D: 8W8, 13W6, 17W5, 21WA4, 25W3, 27W2 Combo-D High-D: 45W2	4	69.49 [2.736]	14.88 [.586]	40.59 [1.598]	27.94 [1.100]	63.50 [2.500]	9.00 x 49.78 [.354 x 1.960]	41.14 grams ^{*4}
D50000AWN ^{*1} T2 ^{*2} D50000AWN ^{*1} V30 ^{*2} D50000AWN ^{*1} VL0 ^{*2}	Std-D: 50 High-D: 78	Combo-D: 24W7, 36W4, 43W2, 47W1 Combo-D High-D: n/a	5	67.11 [2.642]	17.70 [.697]	40.59 [1.598]	27.94 [1.100]	61.11 [2.406]	11.00 x 47.40 [.433 x 1.866]	43.37 grams ^{*4}
D104000AWN ^{*1} T2 ^{*2}	Std-D: n/a High-D: 104	Combo-D: 46W4 Combo-D High-D: n/a	6	69.49 [2.736]	19.30 [.760]	40.59 [1.598]	27.94 [1.100]	63.50 [2.500]	13.00 x 49.00 [.512 x 1.929]	41.35 grams

^{*1} For additional 'Material & Finish Options', replace 'N' with desired 'Code' from Create A Part on page 8

^{*2} For 1.27µm min Au over Cu, replace the last '0' with 'G' in part number and *1 note must remain as 'N' (e.g. D9000AWNT2G)

^{*3} Custom cable entry is available. Contact Technical Sales for more information.

^{*4} Weight for 'VL' configuration. Contact Technical Sales for 'T2' and 'V3'.



*1 VL, and V3 locking systems are not available for 104, shell size 6.

*2 Offered only with T2, E, E6, and E7 locking system options

BACKSHELL TYPE

1.1

- AP Top entry
- AK Side entry
- AW Low profile, top entry

MATERIAL & FINISH OPTIONS

1.2

Backshell & Banded Entry Finish Hardware Material & Finish

Standard Platings

N	Nickel	Steel with nickel plate
C	No finish	Steel with nickel plate

Optional Platings

A	Anodize	Steel with nickel plate
B ^{*2}	Anodize	Brass with zinc plate and chromate seal
D ^{*2}	No finish	Brass with zinc plate and chromate seal
I	Chemical conversion coating	Steel with nickel plate
J ^{*2}	Chemical conversion coating	Brass with zinc plate and chromate seal

Positronic | Americas

1325 N Eldon Ave
Springfield MO 65803 USA
+1 800 641 4054
info@connectpositronic.com

Positronic | Europe

46 route d'Engachies
F-32020 Auch Cedex 9 France
+33 5 6263 4491
contact@connectpositronic.com

Positronic | Asia

3014A Ubi Rd 1 #07-01
Singapore 408703
+65 6842 1419
singapore@connectpositronic.com

Sales Offices

Positronic has local sales representation all over the world.

For the nearest sales office visit www.connectpositronic.com/sales