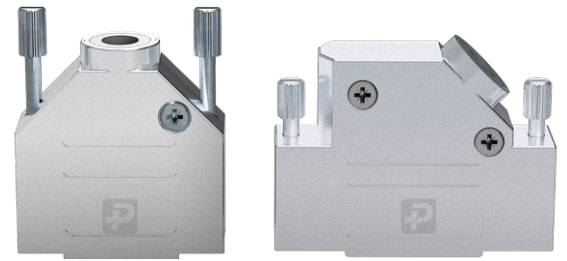


DT / DS SERIES BACKSHELLS

ZINC, DIE-CAST

FOR USE WITH D-SUB CONNECTORS

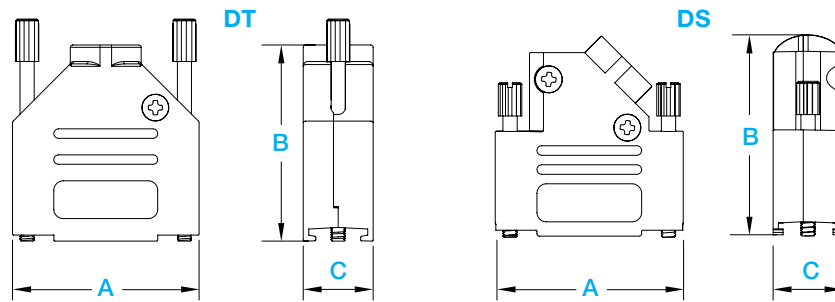


FEATURES

- Zinc die-cast for D-Sub connectors
- Available in shell sizes 1 through 4
- Top entry or side entry
- Offers EMI Protection
- Captive mounted jackscrews
- Strain relief insert tree accommodates a variety of cable diameters
- Jackscrews available with 4-40 or M3 threads
- Suitable for robust use

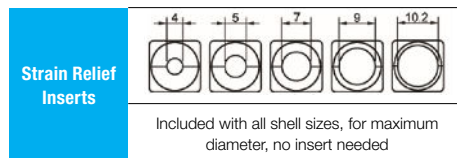
TECH SPECS

Part Number	DT (Top entry) DS (Side entry)
Performance Level	Industrial
RoHS Compliance	Compliant
Material	Zinc, nickel plated
Jackscrews	Brass, nickel plated, UNC 4-40 or M3
Cable Orientation	Top entry Side entry
Strain Relief	ABS plastic
Assembly Screws	Brass, nickel plated
Cable O.D.	Up to 11.50mm [.453 inches]
Operating Temperature	-40°C to +120°C



Layout	Shell Size	A	B	C	DT Cable Entry	DS Cable Entry
9	1	31.0 [1.220]	39.50 [1.555]	15.00 [.591]	Top	Side
15	2	39.50 [1.555]	41.50 [1.634]	15.00 [.591]		
25	3	53.50 [2.106]	48.50 [1.909]	15.00 [.591]		
37	4	71.00 [2.795]	53.00 [2.087]	15.00 [.591]		

Dimensions are in millimeters [inches]



Positronic[®]
an Amphenol company

THE SCIENCE OF CERTAINTY[®]

M035 23/06

CT / CS SERIES BACKSHELLS

ZINC, DIE-CAST

FOR USE WITH D-SUB CONNECTORS

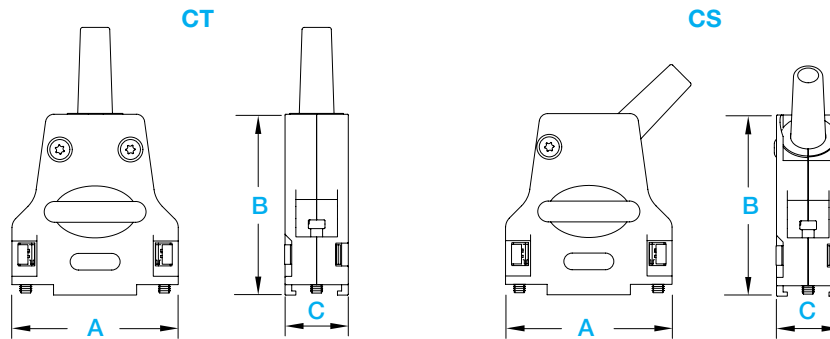


FEATURES

- Zinc die-cast for D-Sub connectors
- Drop-in replacement for FMK Series backshells
- Available in shell sizes 1 through 4
- Top entry or side entry
- Offers EMI Protection
- Captive mounted jackscrews
- Strain relief rubber grommet
- Suitable for robust use

TECH SPECS

Part Number	CT (Top entry) CS (Side entry)
Performance Level	Industrial
RoHS Compliance	Compliant
Material	Zinc, nickel plated
Jackscrews	UNC 4-40, Brass, nickel plated For M3, contact Technical Sales
Cable Orientation	Top entry Side entry
Strain Relief	Rubber
Assembly Screws	Steel, nickel plated
Cable O.D.	Up to 15mm [.591 inches]
Operating Temperature	-45°C to +105°C

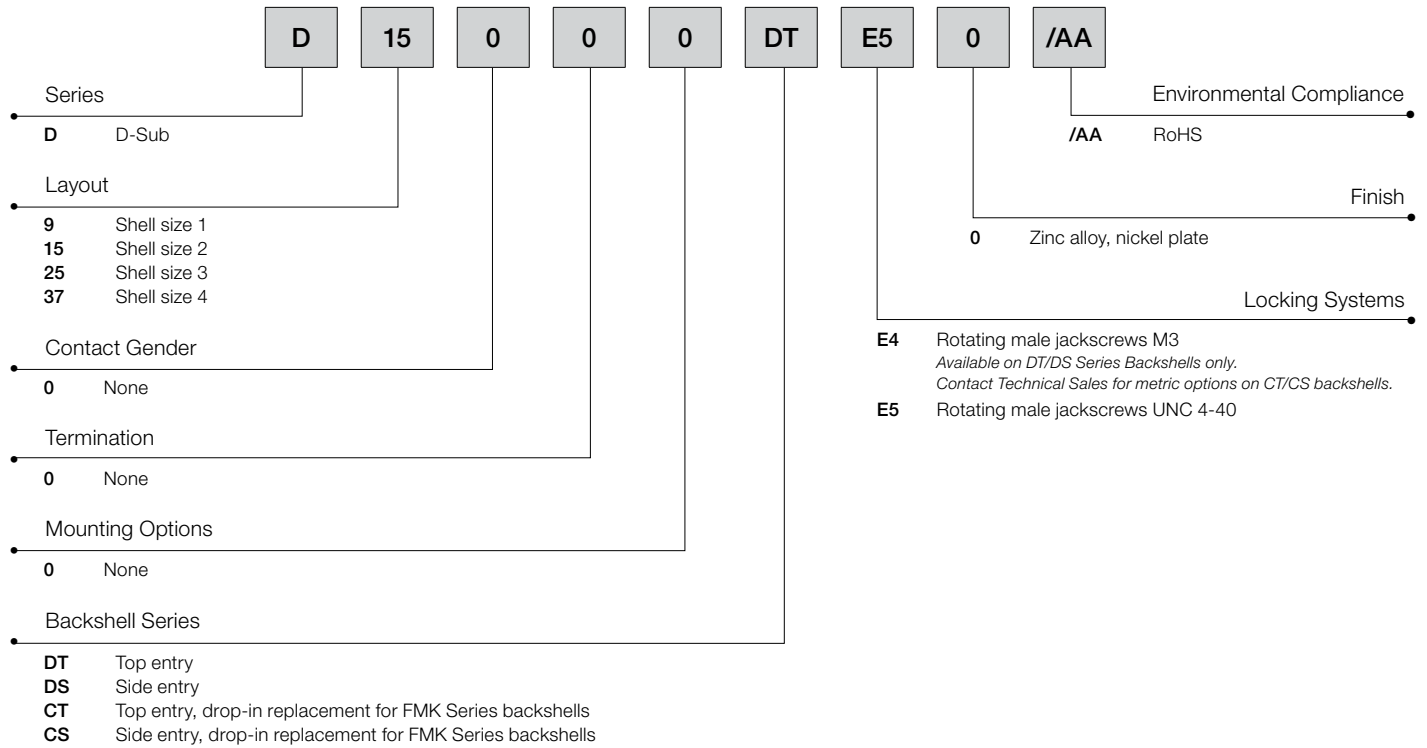


Layout	Shell Size	A	B	C	CT Cable Entry	CS Cable Entry
9	1	31.60 [1.244]	39.50 [1.555]	15.20 [.598]	Top	Side
15	2	40.00 [1.575]	41.00 [1.614]	15.20 [.598]		
25	3	53.70 [2.114]	47.50 [1.870]	15.20 [.598]		
37	4	70.20 [2.764]	48.00 [1.890]	15.20 [.598]		



Standard Cable Opening Dimension		
Shell size	With Grommet	Without Grommet
1	Up to 6.50 [.256]	9.50 [.374]
2	Up to 6.50 [.256]	12.5 [.492]
3	Up to 8.00 [.315]	12.5 [.492]
4	Up to 9.00 [.354]	15.00 [.591]

Dimensions are in millimeters [inches]



Our backshells are also available as part of connector kits. To include a backshell in a connector kit, insert the appropriate Backshell Series (shown above) into the Backshells & Boardlocks step of a connector part number. Examples follow:

Series	Layout	Contact Gender	Termination	Backshells & Boardlocks	Locking Systems	Shells	Environmental Compliance	PART NUMBER
SD	25	F	10	DS	E5	0	/AA	SD25F10 DS E50/AA
ODD	26	M	10	DT	E4	0	/AA	ODD26M10 DT E40/AA
MD	9	M	20	CT	E5	0	/AA	MD9M20 CT E50/AA
ODD	15	M	10	CS	E5	0	/AA	ODD15M10 CS E50/AA





All dimensional tolerances are ± 0.38 [0.015], unless otherwise specified. Dimensions are in millimeters [inches]. All dimensions are subject to change. Product pictures may not be identical in appearance to actual production parts.

Information in this catalog is proprietary to Positronic and its subsidiaries. Positronic believes the data contained herein to be reliable. Since the technical information is given free of charge, the user employs such information at his own discretion and risk. Positronic assumes no responsibility for results obtained or damages incurred from use of such information in whole or in part.

The following trademarks are owned by Positronic Industries, Inc.: Positronic Industries, Inc.®, Positronic®, Connector Excellence®, P+ logo®, PosiBand®, PosiShop®, Optik-D™, and The Science of Certainty®. The color blue as it appears on various connectors is a trademark of Positronic Industries, Inc., Registered in U.S. Patent and Trademark Office.

Products described within this catalog may be protected by one or more of the following US patents:

#4,900,261 #5,255,580 #5,329,697 #6,260,268
#6,835,079 #7,115,002 #8,944,697 #9,304,263

Patented in Canada, 1992 Other patents pending

Federal Supply Code for Manufacturers

Positronic Industries: 28198
Positronic Industries SAS: FA7Y0
Positronic Asia PTE LTD: QB952

Positronic | Americas

1325 N Eldon Ave
Springfield MO 65803 USA
+1 800 641 4054
info@connectpositronic.com

Positronic | Europe

46 route d'Engachies
F-32020 Auch Cedex 9 France
+33 5 6263 4491
contact@connectpositronic.com

Positronic | Asia

3014A Ubi Rd 1 #07-01
Singapore 408703
+65 6842 1419
singapore@connectpositronic.com

Sales Offices

Positronic has local sales representation all over the world. For the nearest sales office visit www.connectpositronic.com/sales